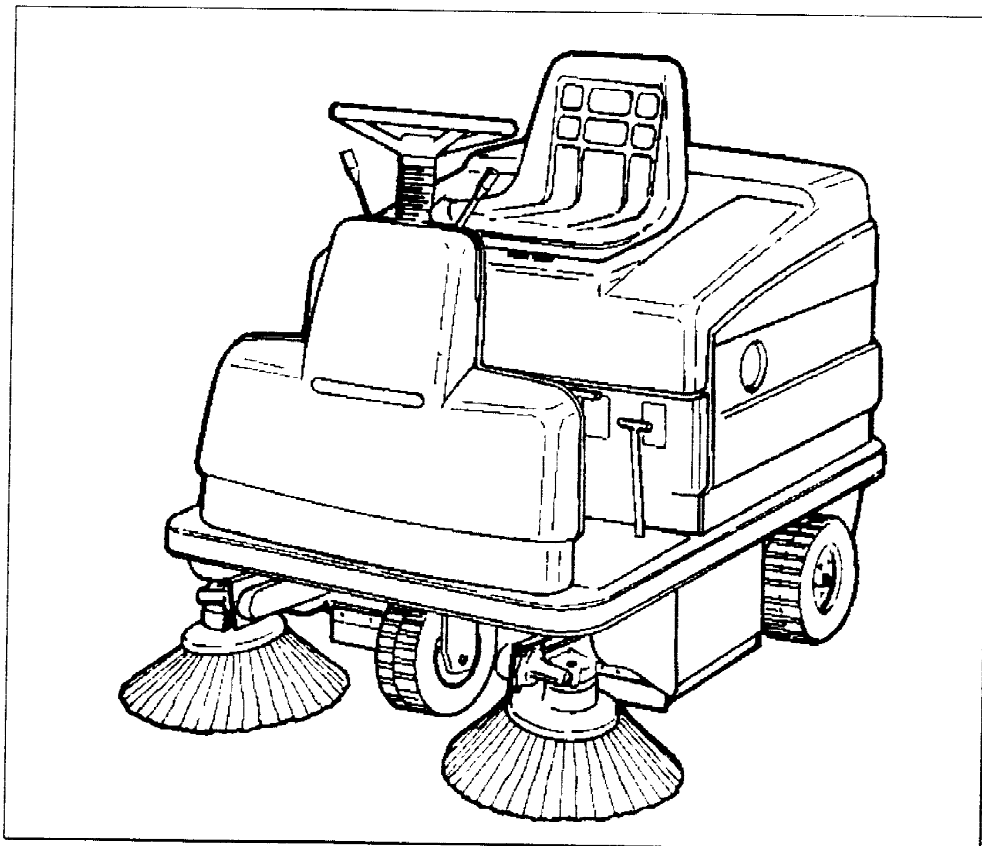


# POWERBOSS®

*PROWLER*



## Parts Manual MODEL RS 50



 **AAR POWERBOSS**

*P.O. Box 1227 Anderson & Taylor Streets  
Aberdeen, NC 28315-1227 USA  
(910) 944 - 2105 FAX: (910) 944-7409*

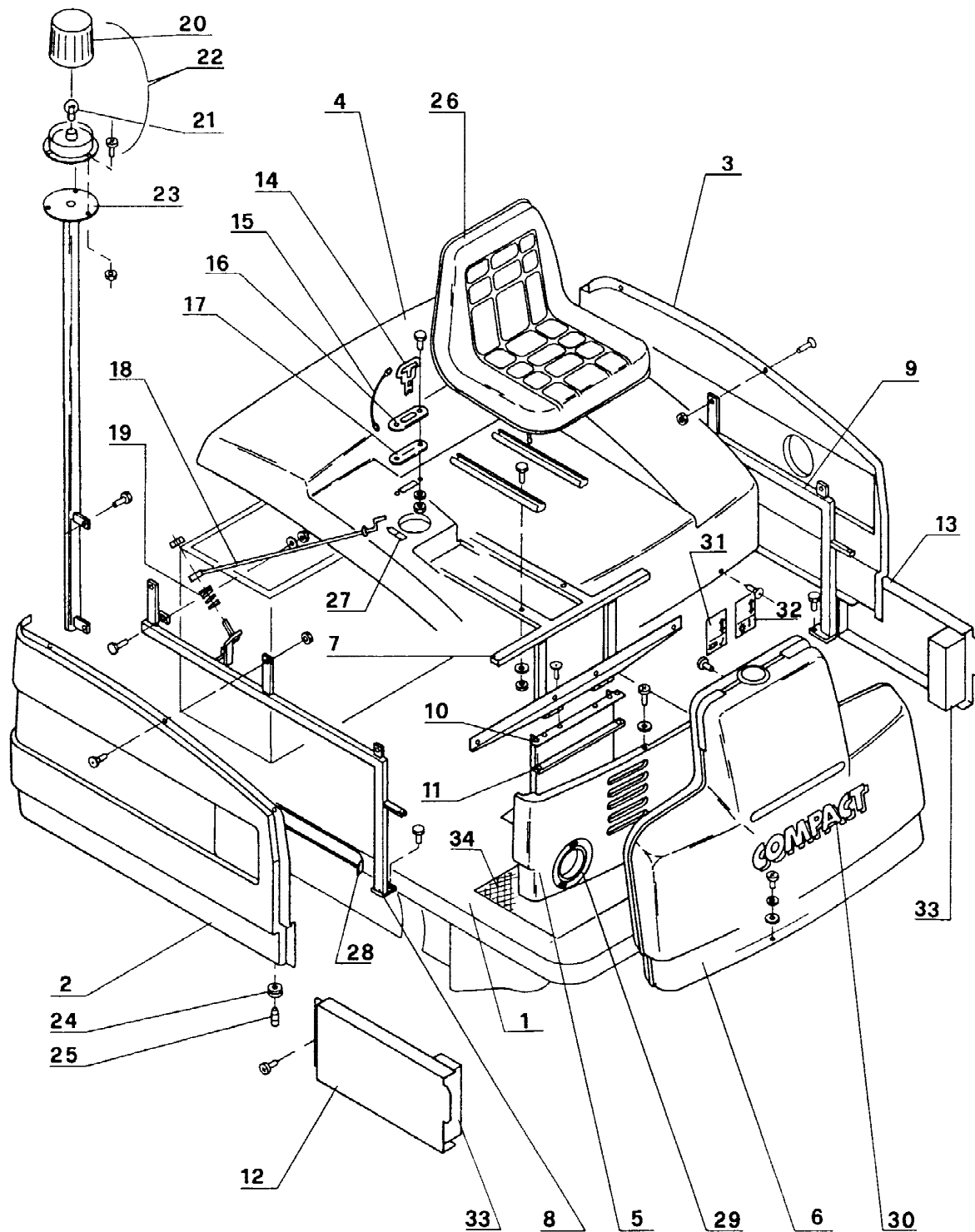
# RS 50

---

DIAGRAM 1

RS 50

96/10/10



## DIAGRAM 1

## RS 50

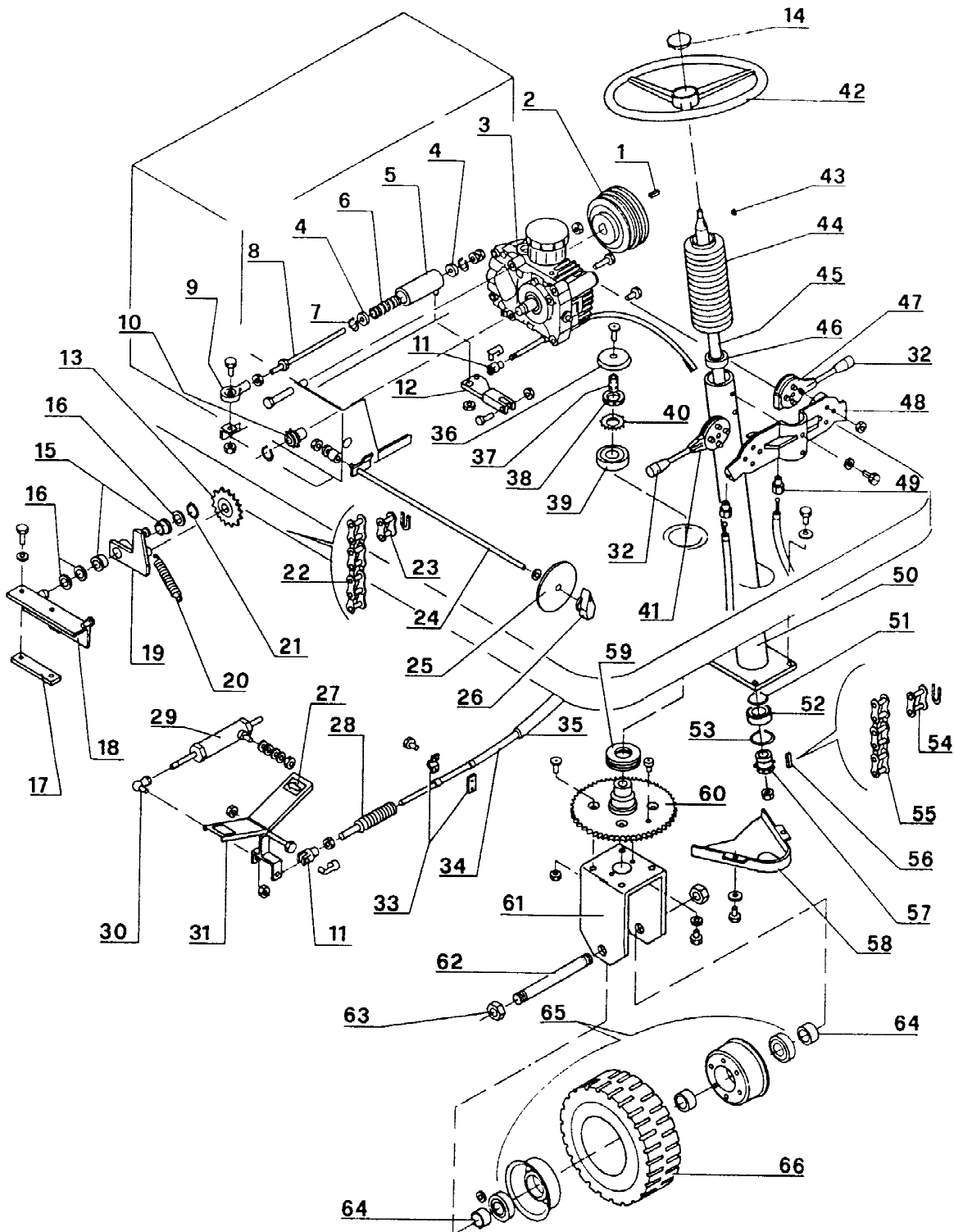
96/10/8

Ref. N°	Part. N°	Description	Briggs & Stratton Qty	Electric Qty
1	1000338	Chassis	1	1
2	1000872	Hood Panel RH	-	1
2	1000871	Hood Panel RH	1	-
3	1000874	Hood Panel LH	-	1
3	1000873	Hood Panel LH	1	-
4	1000645	Upper Hood	1	1
5	1000646	Front Hood Panel	1	1
6	1000877	Front Hood	1	1
7	1000249	Hood Support	1	1
8	1000251	RH Support	1	1
9	1000252	LH Support	1	1
10	1000250	Support Plate	1	1
11	1000089	Plate	1	1
12	1000228	RH Lower Panel	1	1
13	1000227	LH Lower Panel	1	1
14	1000102	Safety Key	1	1
15	1001010	Wire Rope	1	1
16	1000103	Plate - Safety Key	1	1
17	1000724	Spacer - Safety Key	1	1
18	1000259	Hood Rod	1	1
19	1000957	Spring	1	1
20	1001239	Flashing Light Housing	R	R
21	1001169	Bulb 12V	R	-
21	1001170	Bulb 24V	-	R
22	1001171	Flashing Lamp 12V	1	-
22	1001172	Flashing Lamp 24V	-	1
23	1000254	Supporting Rod	1	1
24	1000703	Rubber Ring	9	9
25	1000469	Lock Pin	9	9
26	1001029	Driver's Seat	1	1
27	1000884	Decal	1	1
28	1000881	Adhesive Strip	1	1
29	1000904	Adhesive Strip	1	1
30	1000910	Decal	1	1
31	1000885	Decal - Flap	1	1
32	1000886	Decal - Main Broom	1	1
33	1000721	Adhesive Strip	2	2
34	1000723	Floor Mat	1	1

DIAGRAM 2

RS 50

96/10/10



## DIAGRAM 2

## RS 50

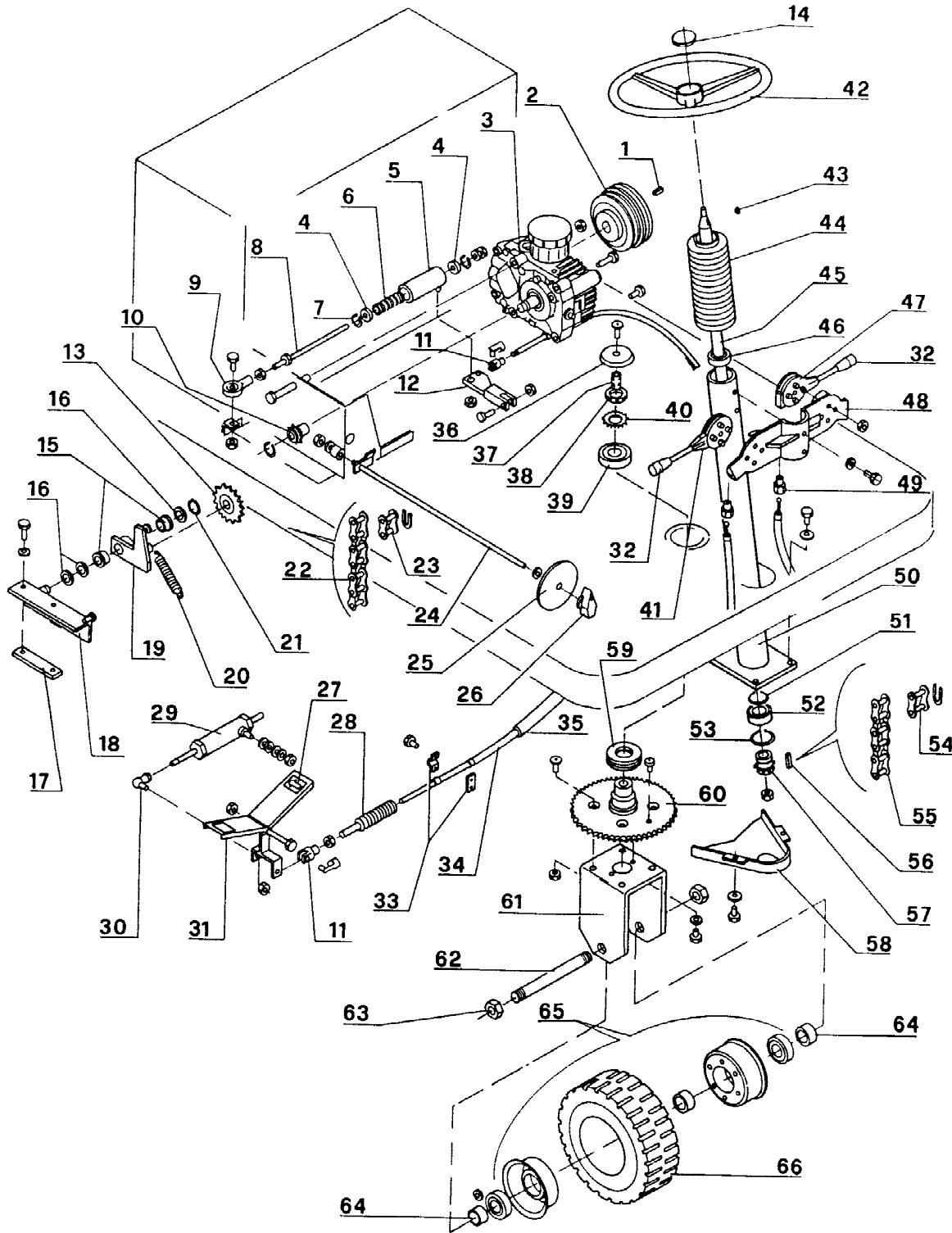
96/10/8

Ref.N°	Part.N°	Description	Briggs & Stratton Qty	Electric Qty
1	1001231	Key	1	1
2	1000602	Pulley	1	1
3	1001241	Hydrostatic Drive	1	1
4	1000466	Bushing	2	2
5	1000540	Drive Adjust Control	1	1
6	1000963	Spring - Compression	1	1
7	1001215	Ring	2	2
8	1000467	Adjustment Rod	1	1
9	1001054	Rod End	1	1
10	1000560	Sprocket - Drive	1	1
11	1001036	Fork	2	2
12	1000229	Lever	1	1
13	1000862	Sprocket - Idler	1	1
14	1000702	Cap - Steering Wheel	1	1
15	1001056	Bushing	2	2
16	1000465	Spacer	2	2
17	1000085	Plate	1	1
18	1000342	Support	1	1
19	1000341	Chain Tensioner	1	1
20	1000964	Spring - Exension	1	1
21	1001202	Retainer - Snap Ring	1	1
22	1000864	Chain	1	1
23	1000860	Master Link	1	1
24	1000232	Lever	1	1
25	1001196	Plate - Round	1	1
26	1000705	Handle	1	1
27	1000908	Decal	2	2
28	1000685	Boot - Dust Cover	1	1
29	1000876	Spring - Forward & Reverse	1	1
30	1001030	Joint - Ball	1	1
31	1000224	Pedal - Dir	1	1
32	1000680	Plate Handle	1	1
33	1001038	Clamp - Retainer	2	2
34	1001019	Flexible Transmission	1	1
35	1000769	Rubber Hose	1	1
36	1000608	Cover	1	1
37	1001057	Plug	1	1
38	1000792	Washer	1	1
39	1000790	Bearing	1	1
40	1000791	Washer - Ext Star	1	1
41	1000981	RH Side Brush Lever	1	1
42	1000701	Steering Wheel	1	1
43	1001225	Key	1	1
44	1000704	Bellow - Steering Column	1	1
45	1000522	Shaft - Steering	1	1
46	1000800	Bearing	1	1
47	1000980	LH Side Brush Lever	1	1
48	1000094	Lever Support	1	1
50	1000539	Steering Column	1	1

DIAGRAM 2

RS 50

96/10/10



**DIAGRAM 2****RS 50**

96/10/8

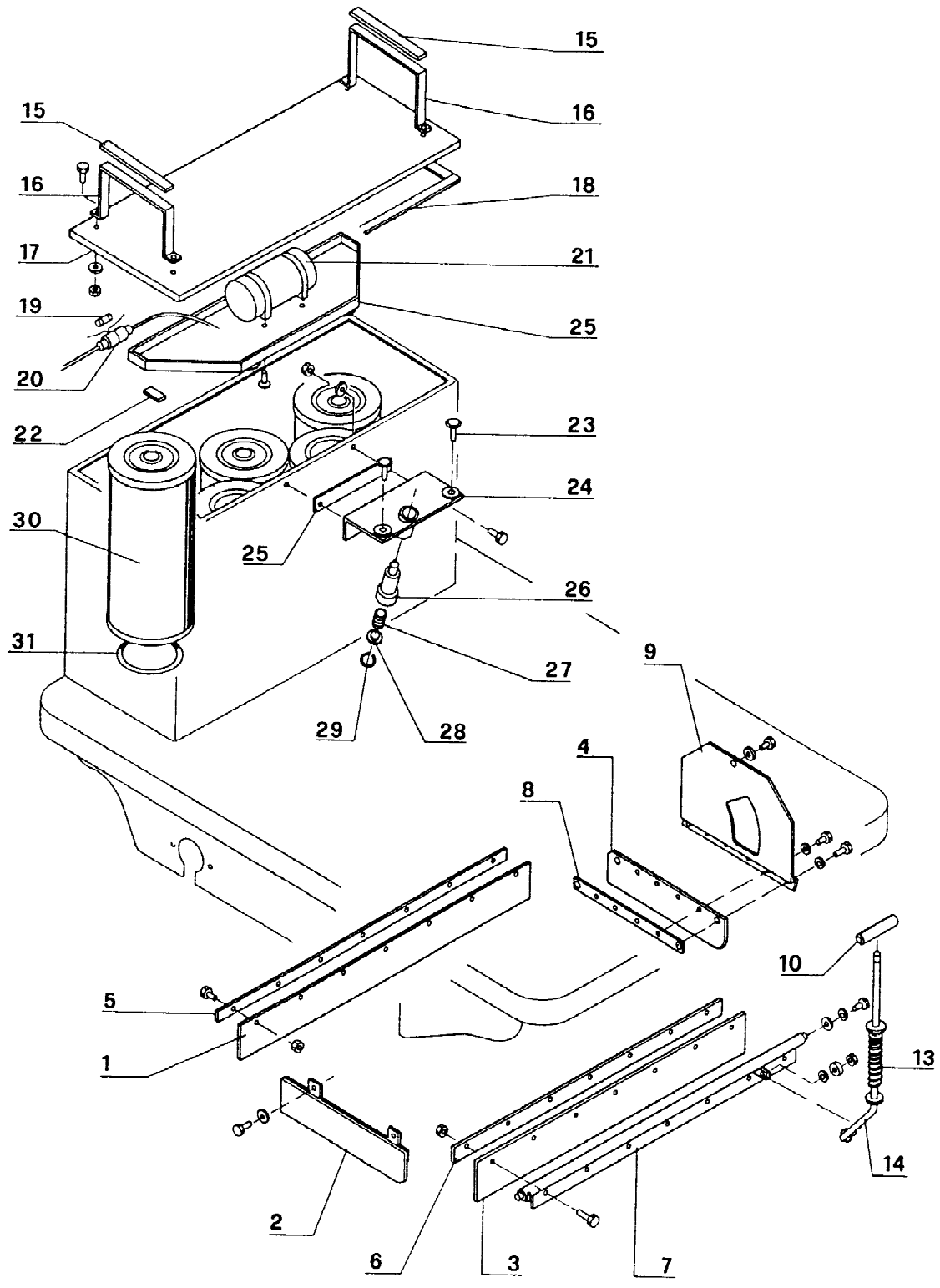
51	1001209	Retainer - Snap Ring	1	1
52	1000789	Bearing	1	1
53	1001217	Retainer - Snap Ring	1	1
54	1000857	Connector Link - Roller Chain	1	1
55	1000856	Chain	1	1
56	1001229	Key	1	1
57	1000565	Sprocket - Drive	1	1
58	1000097	Cover - Chain Guard	1	1
59	1000794	Bearing	1	1
60	1000559	Sprocket - Steering Fork	1	1
61	1000225	Steering Fork	1	1
62	1000462	Axle - Steering Fork	1	1
63	1001185	Nut	2	2
64	1000408	Spacer	2	2
65	1000850	Assy - Front Wheel	1	1
66	1001237	Tire	R	R



DIAGRAM 3

RS 50

96/10/10



## DIAGRAM 3

## RS 50

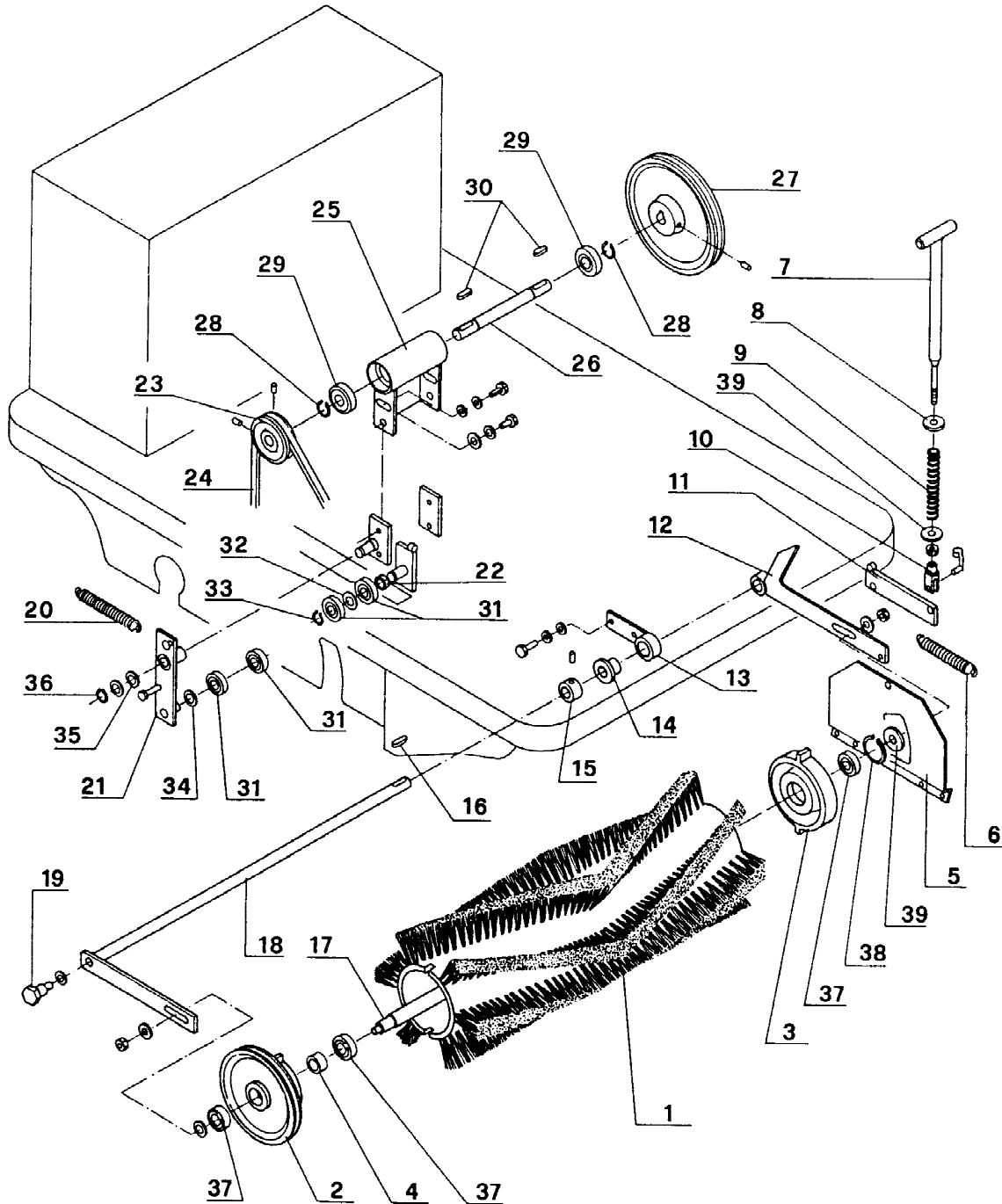
96/10/8

Ref. N°	Part. N°	Description	Briggs & Stratton Qty	Electric Qty
1	1000712	Flap - Main Broom Rear	1	1
2	1000728	Flap - Main Broom RS	1	1
3	1000726	Flap - Main Broom Front	1	1
4	1000715	Flap - Main Broom LS	1	1
5	1000017	Strap - Rear Flap	1	1
6	1000091	Strap - Front Flap	1	1
7	1000350	Shaft - Pivot Bar Front Flap	1	1
8	1000018	Strap - Flap LH	1	1
9	1000024	End Plate - Main Broom	1	1
10	1000497	Plate Handle	1	1
13	1000945	Spring	1	1
14	1000231	Bar Pivot Lift	1	1
15	1000772	Sponge	2	2
16	1000095	Handle	2	2
17	1000234	Cover	1	1
18	1000770	Gasket - Filter Cover	1	1
19	1001092	Fuse	1	1
20	1001117	Fuse Box	1	1
21	1001076	Filter Shaker 12V	1	-
21	1001077	Filter Shaker 24V	-	1
22	1000743	Gasket	5	5
23	1000665	Rubber Plug	2	2
24	1000236	Support	1	1
25	1000117	Spacer	1	1
26	1000478	Spring Piston	1	1
27	1000969	Spring - Compression	1	1
28	1000477	Washer	1	1
29	1001218	Retainer - Snap Ring	1	1
30	1000915	Filter - Dust Control	5	5
31	1000732	Gasket - Filter	5	5

DIAGRAM 4

RS 50

96/10/10



## DIAGRAM 4

## RS 50

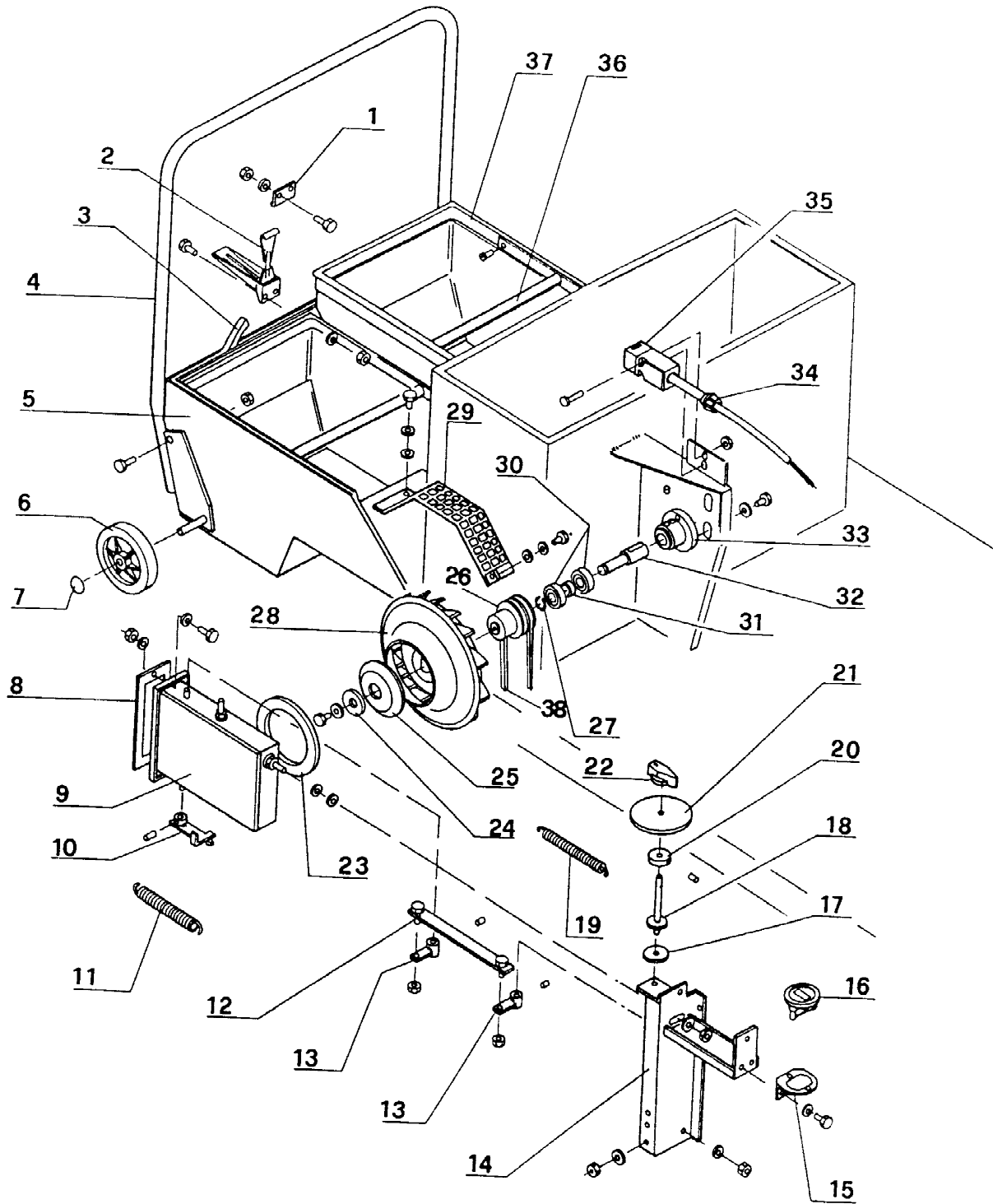
96/10/8

Ref.N°	Part.N°	Description	Briggs & Stratton Qty	Electric Qty
1	1000922	Main Broom	1	1
2	1000573	Driver - Main Broom	1	1
3	1000572	Idler	1	1
4	1000400	Spacer	1	1
5	1000024	End Plate - Main Broom	1	1
6	1000948	Spring - Extension	1	1
7	1000538	Lever - Main Broom	1	1
8	1001199	Washer	1	1
9	1000962	Spring - Compression	1	1
10	1001053	Fork	1	1
11	1000226	Plate	1	1
12	1000306	Arm	1	1
13	1000288	Support	1	1
14	1000606	Bushing - PVC	1	1
15	1000485	Bushing - Locking	1	1
16	1001226	Key	1	1
17	1000399	Shaft - Main Broom	1	1
18	1000286	Shaft	1	1
19	1000396	Knob	1	1
20	1000951	Spring	1	1
21	1000340	Belt Tensioner	1	1
23	1000590	Pulley	1	1
24	1000816	Belt	1	1
25	1000344	Support - Shaft	1	1
26	1000523	Shaft - Main Broom Drive	1	1
27	1000601	Pulley	1	1
28	1001204	Retainer - Snap Ring	2	2
29	1000800	Bearing	2	2
30	1001227	Key	2	2
31	1000785	Bearing	2	2
32	1001193	Washer	1	1
33	1001208	Ring	1	1
34	1001193	Washer	1	1
35	1001197	Washer	2	2
36	1001202	Retainer - Snap Ring	1	1
37	1000786	Bearing	2	2
38	1001201	Retainer - Snap Ring	1	1
39	1001198	Washer	1	1

DIAGRAM 5

RS 50

96/10/1



## DIAGRAM 5

## RS 50

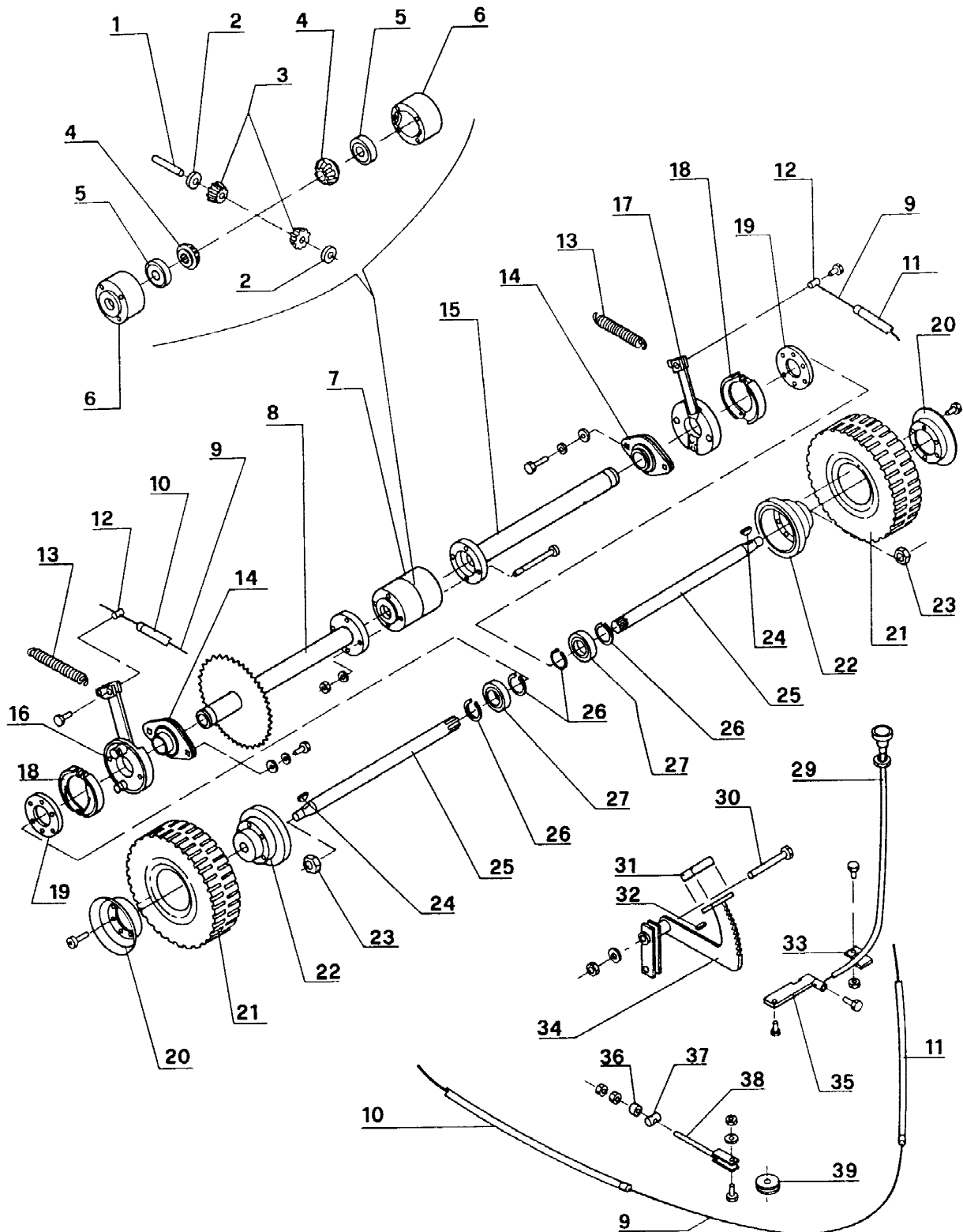
96/10/8

Ref.N°	Part.N°	Description	Briggs & Stratton Qty	Electric Qty
1	1001015	Keeper - Overcenter Latch	1	1
2	1001014	Latch - Over Center	1	1
3	1000733	Seal - Hopper Rim	1	1
4	1000366	Handle - Hopper	1	1
5	1000281	Hopper	1	1
6	1000844	Wheel	2	2
7	1001044	End Cap	2	2
8	1000709	Gasket	1	1
9	1000611	Housing	1	1
10	1000349	Lever - Vacuum On/Off	1	1
11	1000941	Spring	1	1
12	1000084	Bar - Lock	1	1
13	1000349	Lever - Control	2	2
14	1000239	Support - Dashboard	1	1
15	1000118	Support - Hour Meter	1	1
16	1001136	Hour Meter	1*	1*
17	1000607	Washer	1	1
18	1000537	Pivot	1	1
19	1000941	Spring	1	1
20	1000471	Bushing	1	1
21	1001196	Plate - Round	1	1
22	1001052	Plate Handle	1	1
23	1000710	Washer	1	1
24	1000402	Cover	1	1
25	1000609	Disc - Fan Mount	1	1
26	1000501	Pulley	1	1
27	1001202	Retainer - Snap Ring	1	1
28	1000661	Vacuum Fan	1	1
29	1000266	Guard - Fan	1	1
30	1000786	Bearing	2	2
31	1000403	Spacer	1	1
32	1000521	Shaft - Fan	1	1
33	1000498	Support - Fan	1	1
34	1001094	End Clamp	1	1
35	1001157	Switch - Safety Key	1	1
36	1000261	Container - Handle	2	2
37	1000643	Insert - Hopper	2	2

DIAGRAM 6

RS 50

96/10/10



## DIAGRAM 6

## RS 50

96/10/8

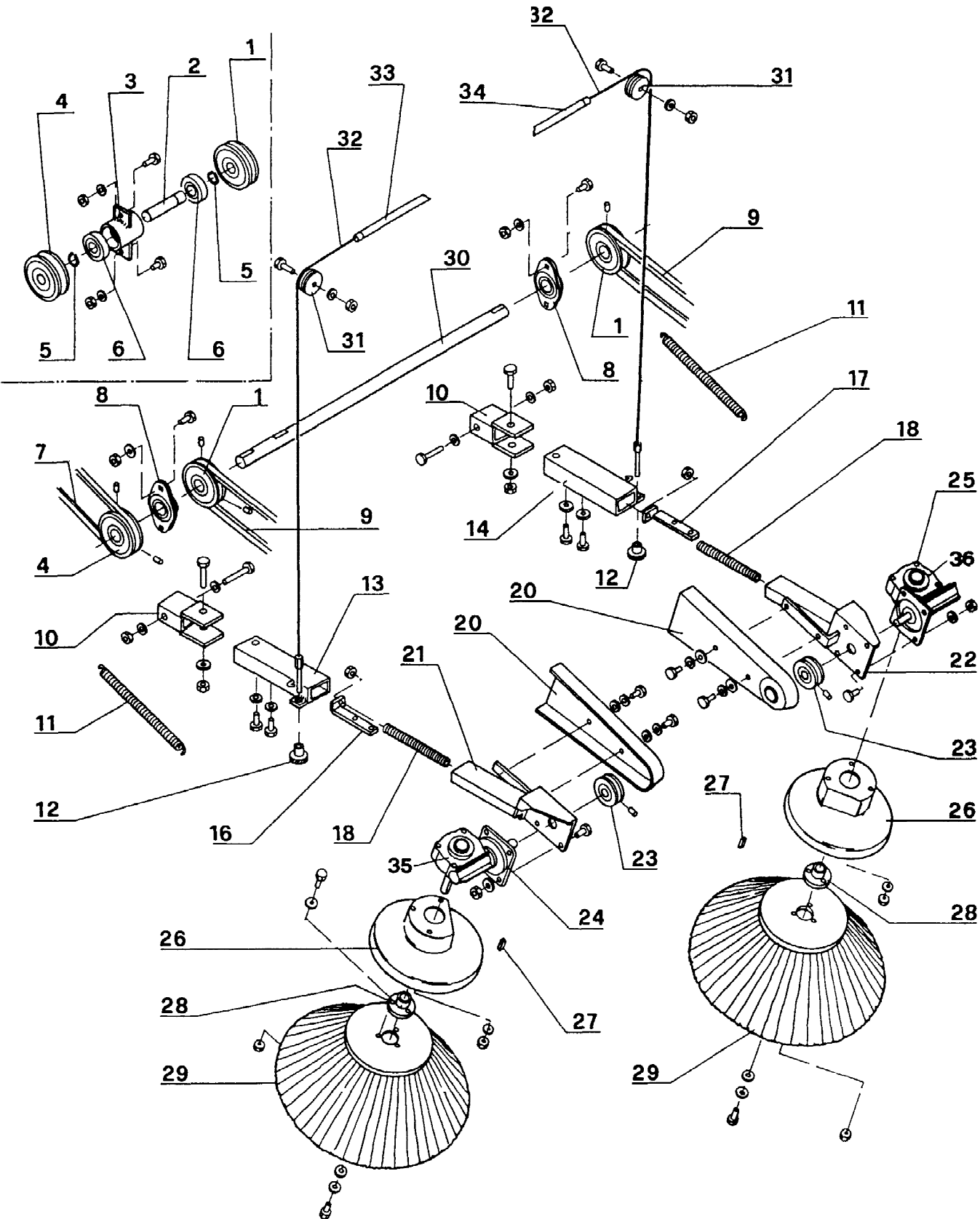
Ref. N°	Part. N°	Description	Briggs & Stratton Qty	Electric Qty
1	1000339	Pin for Satellites	1	1
2	1000461	Bushing	2	2
3	1000561	Satellite Gearing	2	2
4	1000562	Planetary Gearing	2	2
5	1000787	Bearing	2	2
6	1000519	Gear Housing, Left	2	2
7	1000875	Differential Gear	1	1
8	1000563	RH Shaft	1	1
9	1001009	Brake Cable	1	1
10	1001005	Sheath	1	1
11	1001006	Sheath	1	1
12	1001004	Clamp	2	2
13	1000966	Spring - Extension	2	2
14	1000808	Support	2	2
15	1000564	LH Shaft	1	1
16	1000348	Flange - Right	1	1
17	1000347	Flange - Left	1	1
18	1001055	Shoes - Brake	2	2
19	1000496	Flange	2	2
20	1000488	Wheel Rim	2	2
21	1000843	Tire	2	2
22	1000575	Free Wheel Hub	2	2
23	1001186	Nut	2	2
24	1001225	Woodruff Key	2	2
25	1000520	Axle Shaft	2	2
26	1001216	Retainer - Snap Ring	4	4
27	1000801	Bearing	2	2
29	1000979	Parking Brake Lock	1	1
30	1001178	Screw	1	1
31	1000678	Pedal	1	1
32	1000765	Rubber	1	1
33	1000088	Support	1	1
34	1000346	Brake Pedal	1	1
35	1000087	Pedal Locking	1	1
36	1000468	Spacer	1	1
37	1000086	Cylinder	1	1
38	1000233	Cable Tensioner	1	1
39	1000604	Pulley	1	1



DIAGRAM 7

RS 50

97/1/22



## DIAGRAM 7

## RS 50

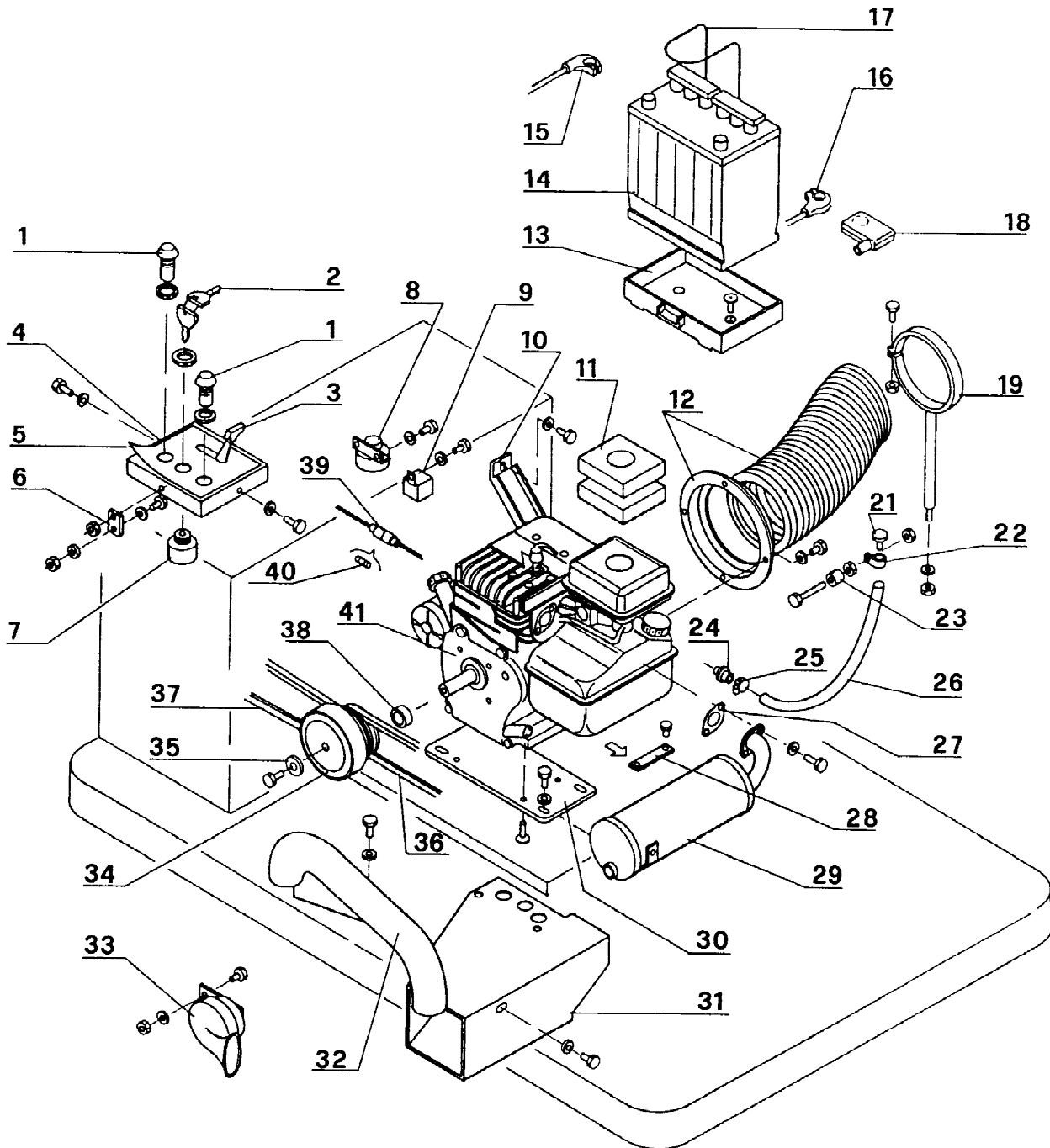
97/1/22

Ref. N°	Part. N°	Description	Briggs & Stratton Qty	Electric Qty
1	1000583	Pulley	1	1
2	1000524	Shaft - Drive	1	1
3	1000345	Shaft - Support	1	1
4	1000582	Pulley	1	1
5	1001204	Retainer - Snap Ring	2	2
6	1000787	Bearing	2	2
7	1000816	Belt	1	1
8	1000807	Bearing - Flange	2*	2*
9	1000830	Belt	1	1
10	1000243	Support	1	1
11	1000965	Spring - Extension	1	1
12	1000470	Adjuster	1	1
13	1000241	Brush Support - Right Support	1	1
14	1000242	Brush Support - Left Support	1*	1*
16	1000246	Bar - Support RH	1	1
17	1000247	Bar - Support LH	1*	1*
18	1000967	Spring Extension	1	1
20	1000647	Guard - Belt	1	1
21	1000244	Support - Right	1	1
22	1000245	Support - Left	1*	1*
23	1000579	Pulley	1	1
24	1000928	Gear Box	1	1
25	1000929	Gear Box	1*	1*
26	1000629	Shroud - Side Broom	1	1
27	1001230	Key	1	1
28	1000653	Side Brush Flange	1	1
29	1000921	Side Brush	1	1
30	1000525	Shaft	1*	1*
31	1000604	Pulley	1	1
32	1001051	Cable	1	1
33	1001008	Sheath	1	1
34	1001007	Sheath	1*	1*
35	1001360	Reduction gear R.	1	1
36	1001361	Reduction gear R.	1*	1*

DIAGRAM 8

RS 50

96/10/10



## DIAGRAM 8

## RS 50

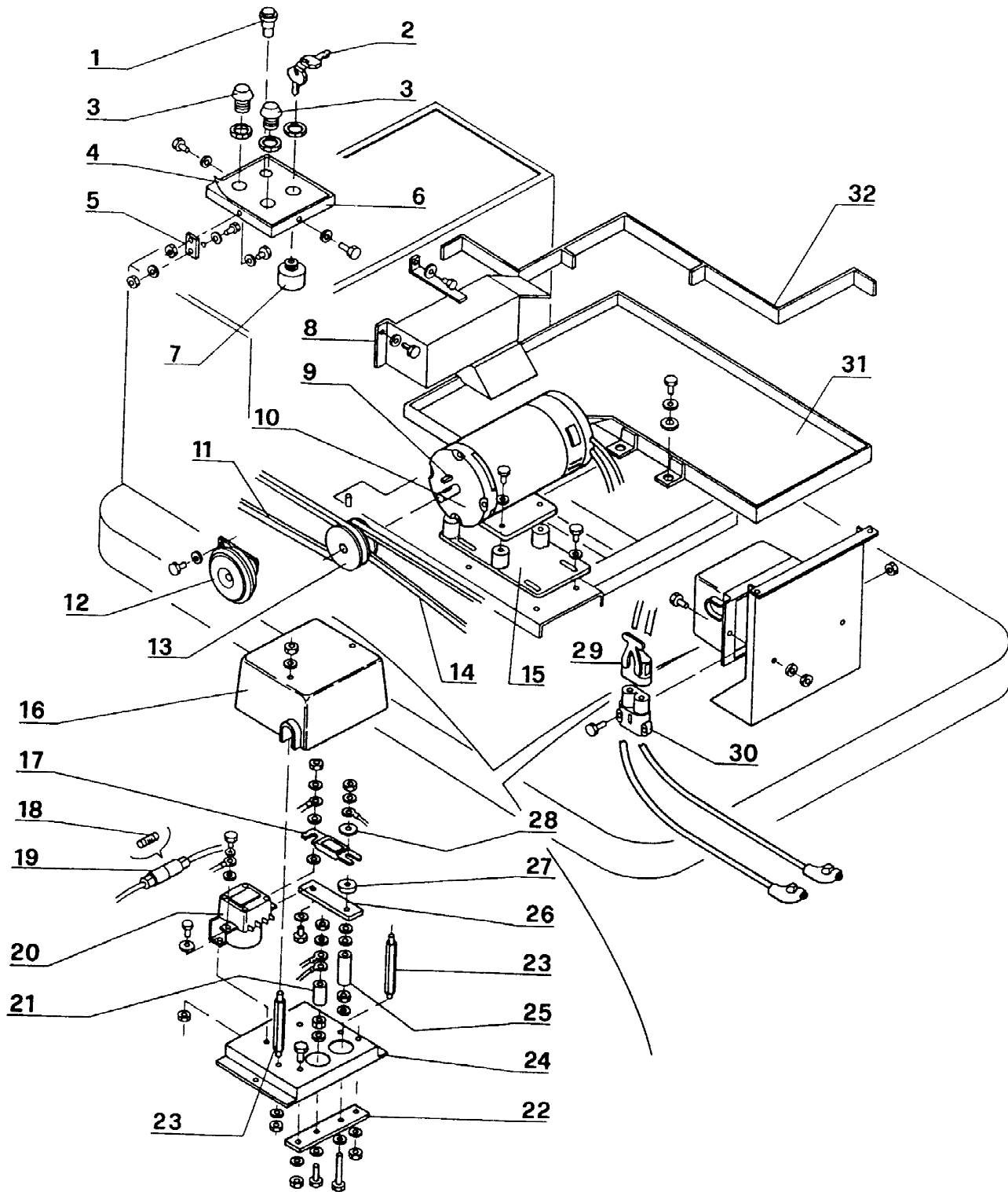
96/10/8

Ref. N°	Part. N°	Description	Briggs & Stratton Qty	Electric Qty
1	1001145	Push Button	2	-
2	1001153	Key Set - Ignition	1	-
3	1000971	Control Cable Assembly	1	-
4	1000237	Instrument Panel	1	-
5	1000905	Decal - Instrument Panel	1	-
6	1000766	Plate	1	-
7	1001154	Switch - Ignition	1	-
8	1001146	Switch - Solenoid	1	-
9	1001149	Microswitch	1	-
10	1000090	Support	1	-
11	1000722	Filter	2	-
12	1000781	Assy - Vacuum Hose	1	-
13	1000187	Battery Tray	1	-
14	1001080	Battery	1	-
15	1001087	Cable - Battery Negative	1	-
16	1001088	Cable - Battery Positive	1	-
17	1000696	Rubber Ring	1	-
18	1000706	Terminal Cover	1	-
19	1000230	Support	1	-
21	1000665	Rubber Plug	1	-
22	1001113	Clamp	1	-
23	1000444	Spacer	1	-
24	1000390	Adapter - Hose Nipple	1	-
25	1001016	Clamp	1	-
26	1000768	Oil Drain Tube	1	-
27	1000934	Gasket - Exhaust	1	-
28	1000096	Plate	1	-
29	1000937	Silencer	1	-
30	1000092	Plate	1	-
31	1000235	Air Conveyor	1	-
32	1000371	Air Conveyor	1	-
33	1001097	Horn	1	-
34	1000870	Centrifugal Pulley	1	-
35	1000464	Washer	1	-
36	1000832	Belt	1	-
37	1000831	Belt	1	-
38	1000463	Spacer	1	-
39	1001117	Fuse Box	1	-
40	1001092	Fuse	1	-
41	1000932	Engine - Briggs & Stratton	1	-

DIAGRAM 10

RS 50

96/10/10



## DIAGRAM 10

## RS 50

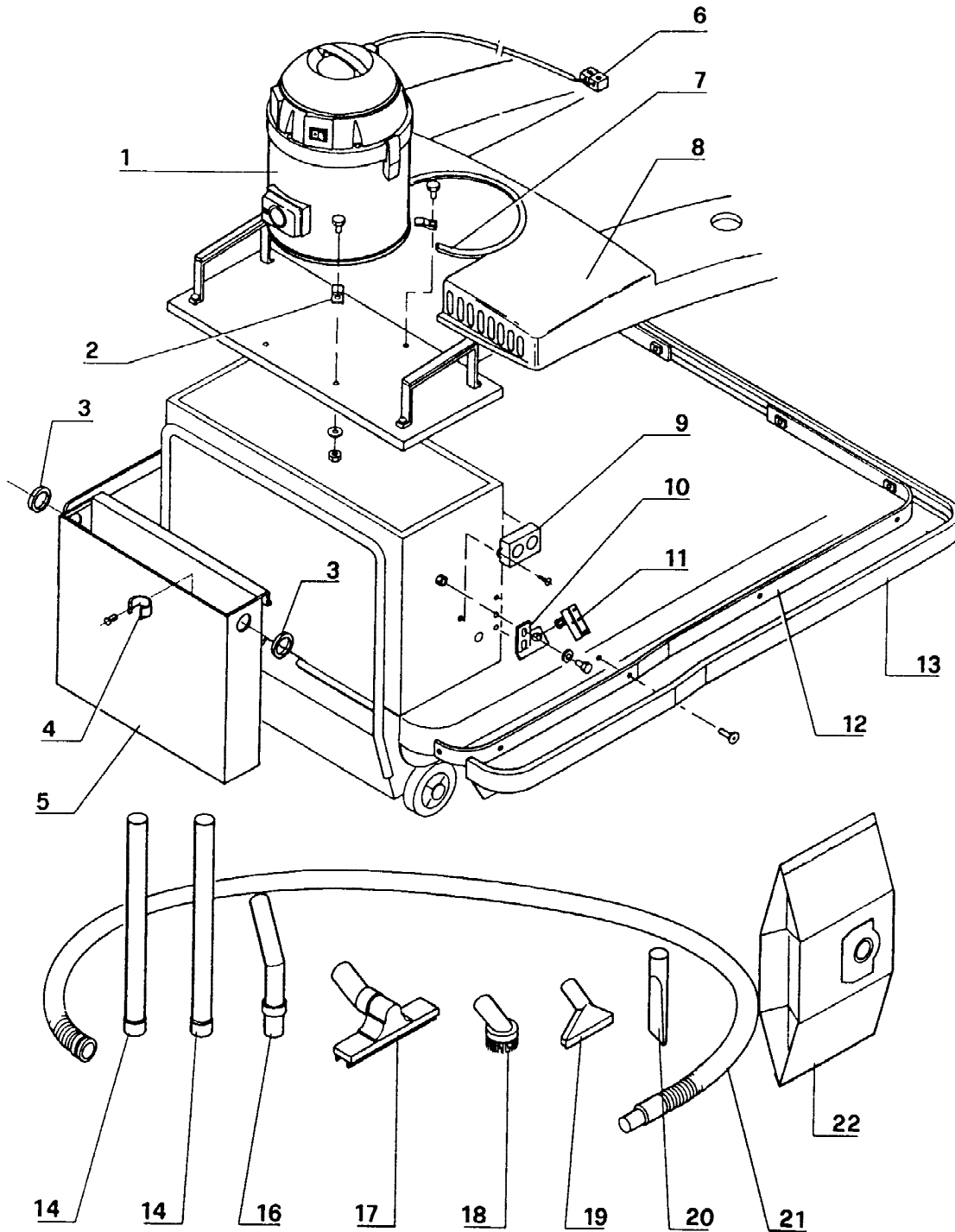
96/10/9

Ref. N°	Part. N°	Description	Briggs & Stratton Qty	Electric Qty
1	1001137	Battery Charge Indicator	-	1
2	1001153	Key Set - Ignition	-	1
3	1001145	Push Button	-	1
4	1000906	Decal - Instrument Panel	-	1
5	1000766	Plate	-	1
6	1000238	Instruments Panel	-	1
7	1001154	Switch - Ignition	-	1
8	1000240	Air Conveyer	-	1
9	1001220	Key	-	1
10	1001078	Electric Engine	-	1
11	1000832	Belt	-	1
12	1001101	Horn	-	1
13	1000603	Pulley	-	1
14	1000832	Belt	-	1
15	1000343	Plate	-	1
16	1000628	Cover - Electric Switch	-	1
17	1001112	Fuse	-	1
18	1001092	Fuse	-	1
19	1001117	Fuse Box	-	1
20	1001147	Switch - Solenoid	-	1
21	1000072	Spacer	-	1
22	1000757	Bakelite Base	-	1
23	1000421	Spacer	-	2
24	1000070	Bracket - Electric Mount	-	1
25	1000071	Spacer	-	1
26	1000762	Bakelite Base	-	1
27	1000432	Spacer	-	1
28	1001189	Washer	-	1
29	1001090	Connector - Anderson 175 Side Broom	-	1
30	1001089	Connector - Anderson 175 Side Broom	-	1
31	1000093	Battery Tray	-	1
32	1000248	Bracket	-	1*

DIAGRAM 11

RS 50

96/10/10



## DIAGRAM 11

## RS 50

96/10/8

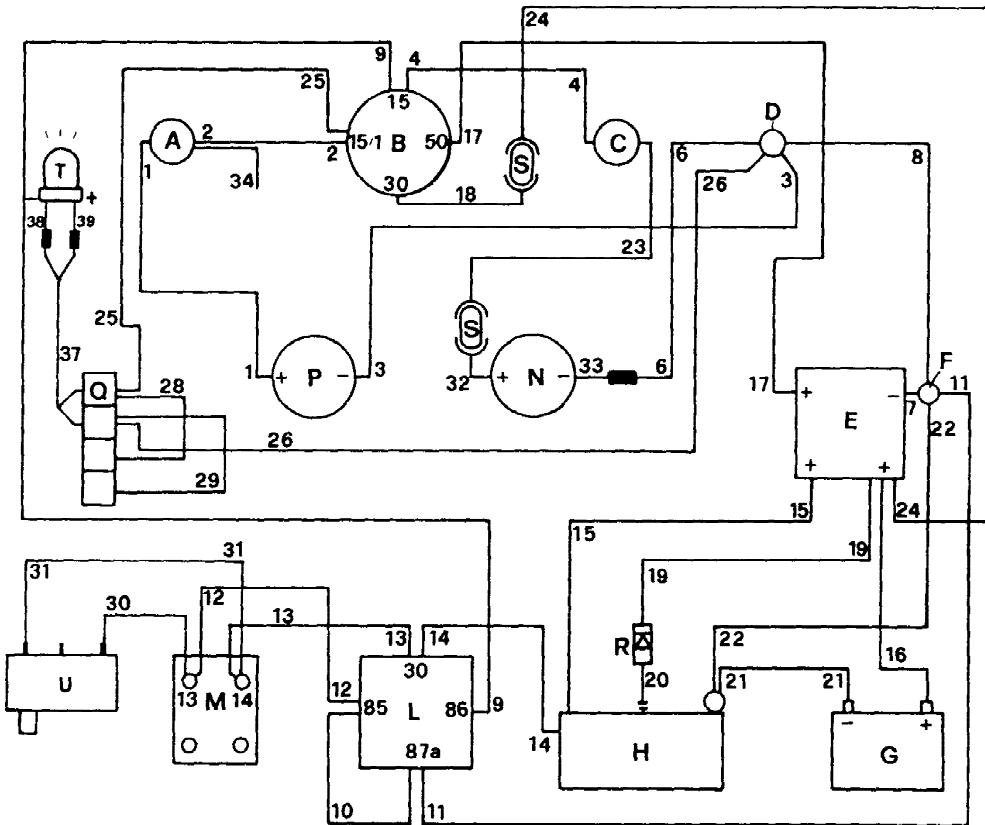
Ref N°	Part N°	Description	Briggs & Stratton Qty	Electric Qty
1	1001079	Vacuum Cleaner 24V	-	1*
2	1000088	Support	-	4*
3	1000773	Rubber Ring	-	2*
4	1000774	Vacuum Hose	-	1*
5	1000122	Container for Assessories	-	1*
6	1001134	Connectors	-	1*
7	1000775	Washer	-	1*
8	1000648	Hood	-	1*
9	1001126	Back-up Alarm 12V	1*	-
9	1001127	Back-up Alarm 24V	-	1*
10	1000098	Support	1*	1*
11	1001142	Block Plate	1*	1*
12	1000271	Bumper	2*	2*
13	1000659	PVC Bumper	1*	1*
14	1001058	Chrome Hose	-	2*
16	1001059	Chrome "U" Hose	-	1*
17	1001060	Floor Tool	-	1*
18	1001061	Dusting Tool	-	1*
19	1001062	Flat Tool	-	1*
20	1001063	Edge Tool	-	1*
21	1001064	Flexible Hose	-	1*
22	1000923	Paper Filter	-	1*



DIAGRAM 12

RS 50

96/10/10



RS50 "BRIGGS &amp; STRATTON"

## WIRING DIAGRAM

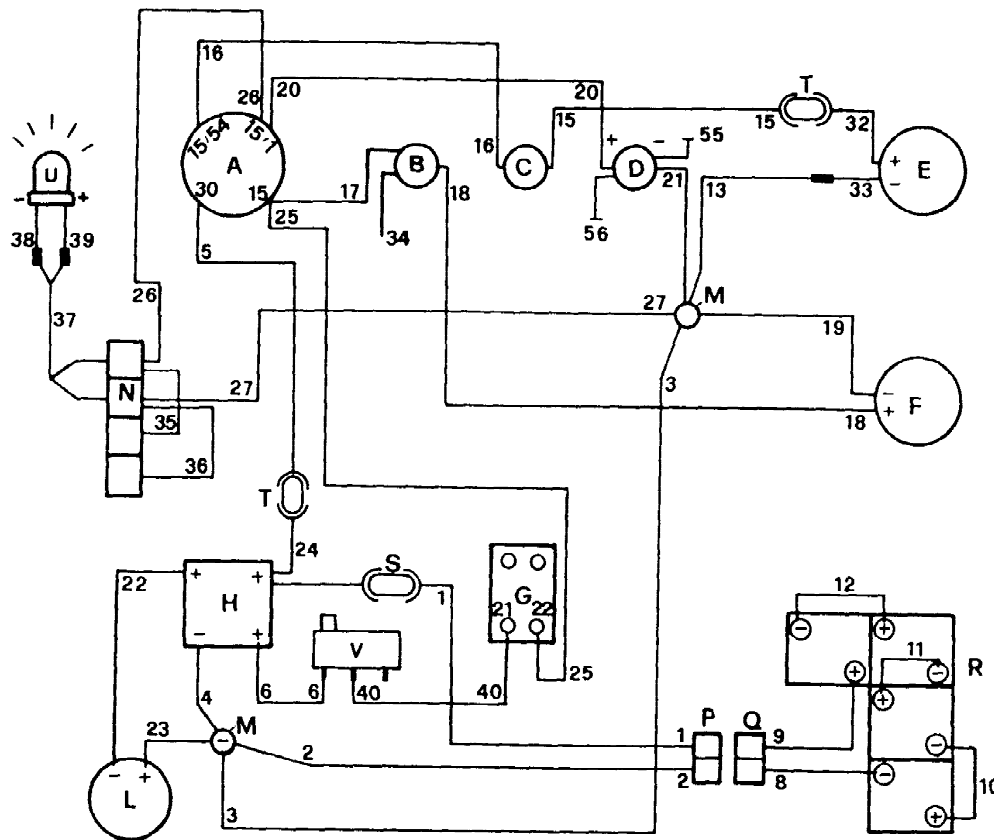
- A Horn push button
- B Switch
- C Filter-shaker push button
- D Negative pole
- E Electromagnetic switch
- F Negative pole
- G Battery 12V- 45A
- H Engine Briggs & S.
- L Microswitch
- M Safety switch \*
- N Electric filter shaker
- P Horn
- Q Clamp
- R Diode 3A
- S Fuse 16A
- T Intermittent lamp
- U Microswitch

\* OPTIONAL

DIAGRAM 14

RS 50

96/10/10



RS 50 E

## WIRING DIAGRAM

- |          |                                  |
|----------|----------------------------------|
| <b>A</b> | Switch                           |
| <b>B</b> | Horn push button                 |
| <b>C</b> | Filter shaker push button        |
| <b>D</b> | Dry charge battery indicator 24V |
| <b>E</b> | Electric filter shaker           |
| <b>F</b> | Horn                             |
| <b>G</b> | Safety switch *                  |
| <b>H</b> | Electromagnetic switch 100A      |
| <b>L</b> | Electric engine 24V              |
| <b>M</b> | Negative pole                    |
| <b>N</b> | Clamps                           |
| <b>P</b> | Steel connector                  |
| <b>Q</b> | Mobile connector                 |
| <b>R</b> | Battery 24V                      |
| <b>S</b> | Fuse 100A                        |
| <b>T</b> | Fuse 16A                         |
| <b>U</b> | Intermittent lamp                |
| <b>V</b> | Microswitch                      |

\* OPTIONAL